

## THE CORRECT USAGE OF SQUARE HOLDER FOR MICRO MINI TWIN

Mitsubishi Materials would like to thank you for purchasing this product.

Please read the following before using this product.

And, please handle this product properly.

① Please tighten the clamping screw while pressing MICRO MINI TWIN on a base wall of SQUARE HOLDER when you install MICRO MINI TWIN in SQUARE HOLDER (Please refer to Figure 1).

② Please tighten the clamping screw with the recommended torque.

Table 1 shows the recommended tightening torque.

※ Insufficient tightening may occasionally result in lower clamp rigidity.

③ Please do not tighten the clamping screw while MICRO MINI TWIN is uninstalled.

MICRO MINI TWIN can not be installed due to clamp bridge deformation.

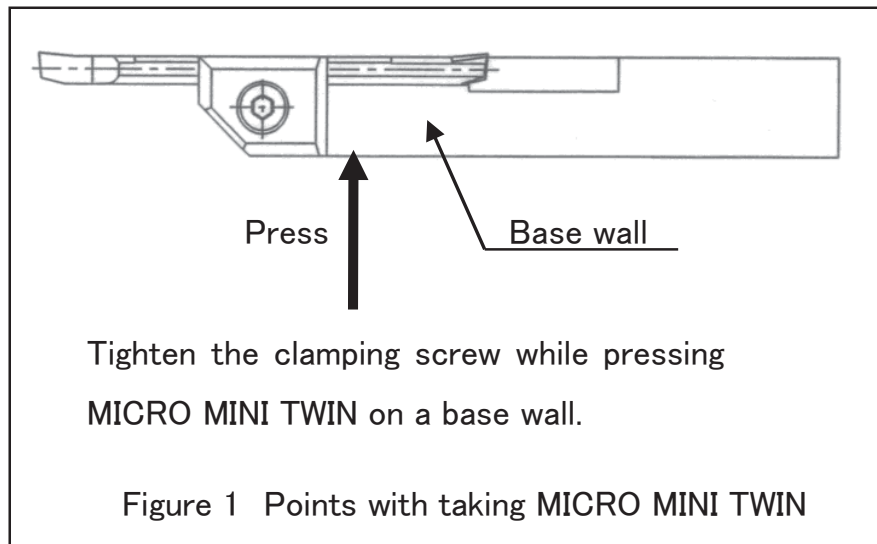


Table 1 Recommended tightening torque

| Item No. | Torque (N·m) |
|----------|--------------|
| SBH1020R | 4.8          |
| SBH1030R | 9.5          |
| SBH1040R |              |
| SBH1050R |              |
| SBH1060R |              |
| SBH1070R |              |