

MICRO CASING BIT

Straighter - Deeper Holes with Higher Productivity

STANDARD 2" & 2.5" MCB SYSTEM (For Face bolting)

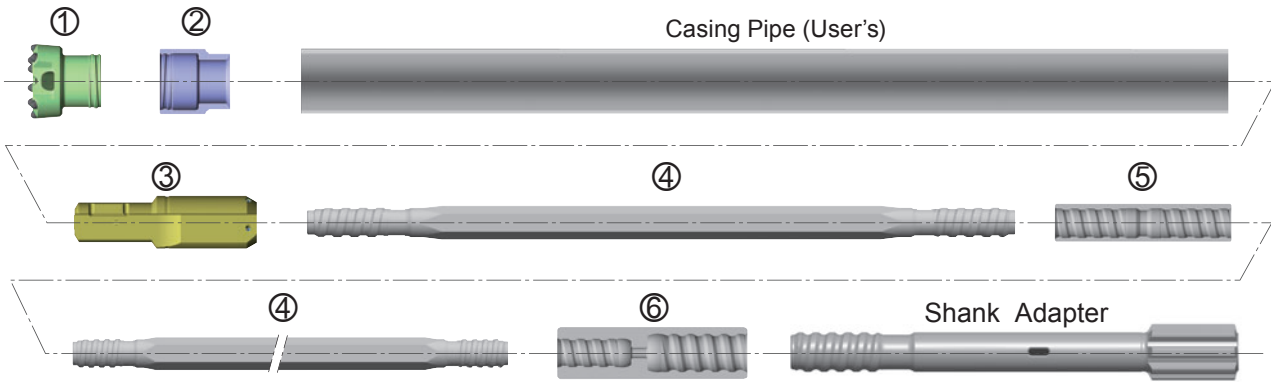
- Smallest concentrical drilling system
- Applicable for longer holes such as face bolting, geological survey and drainage holes
- 50m horizontal hole drilling has been recorded in Japan as longest drilled hole
- Easiest handling by smallest diameter and light weight
- Achieving high penetration rate



STANDARD 3" & 4" UMB SYSTEM (For Fore piling and Roof bolting)

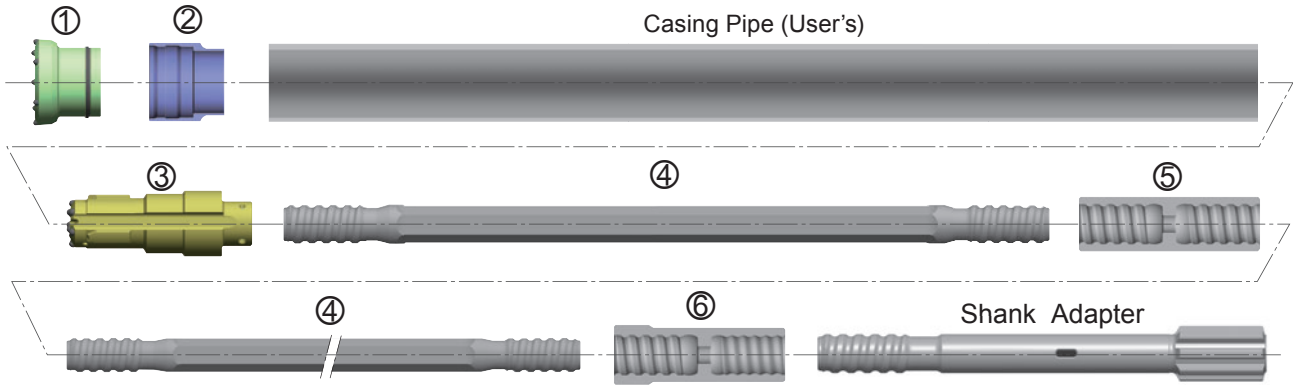
- Established UMB system for All Ground Fasten method
- Ring bit has a unique connection
- This system has best record at various rock condition in Japan

STANDARD 2" & 2.5" MCB SYSTEM (For Face Bolting)



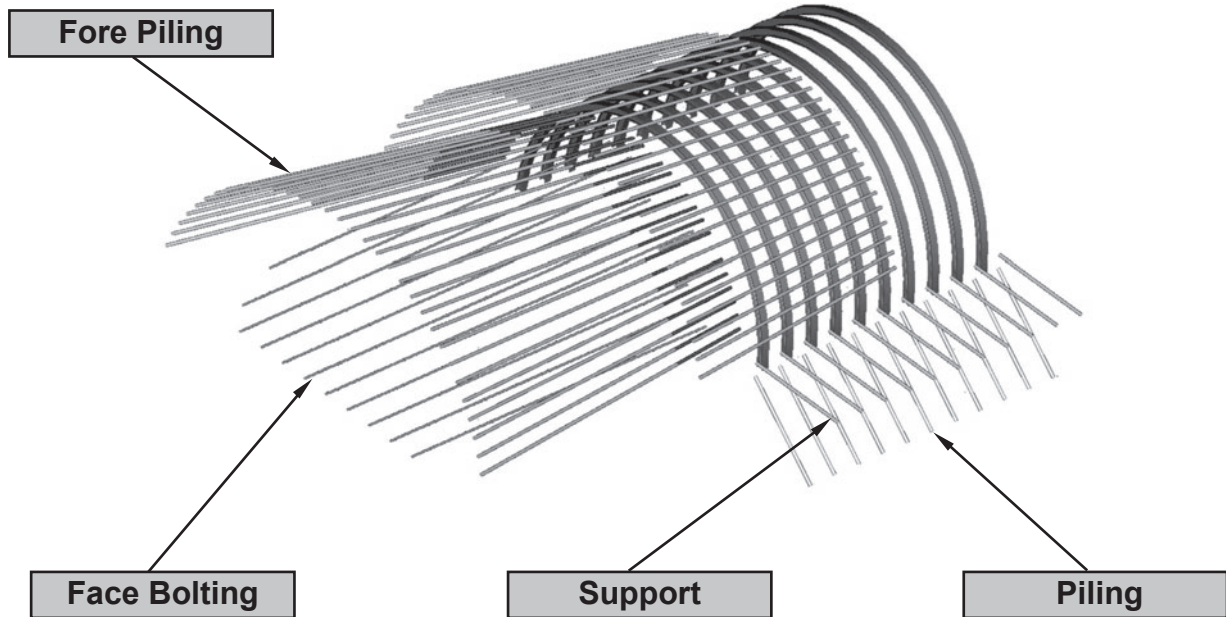
① Single Pass Bit	Casing Pipe		Gauge Dia. (D)		Length (L)		Weight		Part No.	
	Outer Dia.	Wall Max. Thickness	mm	in.	mm	in.	kg	lb		
	60.5 (2.38")	5.5 (0.22")	70	2.76"	86.7	3.41"	1.0	2.2	MC50P70BBC795	
	76.3 (3.00")	5.2 (0.20")	88	3.46"	87.2	3.43"	1.6	3.5	MC65P88BBC705	
② Casing Shoe	Casing Pipe		Outer Dia. (D)		Length (L)		Weight		Part No.	
	Outer Dia.	Wall Max. Thickness	mm	in.	mm	in.	kg	lb		
	60.5 (2.38")	5.5 (0.22")	60.5	2.38"	82	3.23"	0.6	1.3	MC50TOP-796	
	76.3 (3.00")	5.2 (0.20")	76.3	3.00"	82	3.23"	0.9	2.0	MC65TOP-706	
③ Shank Device	Casing Pipe		Guide Dia. (D)		Length (L)		Weight		Part No.	
	Outer Dia.	Wall Max. Thickness	mm	in.	mm	in.	kg	lb		
	60.5 (2.38")	5.5 (0.22")	46.5	1.83"	215	8.46"	1.35	3.0	MC50M28-794 (Spring Pin: Φ6x25)	
	76.3 (3.00")	5.2 (0.20")	62.5	2.46"	215	8.46"	2.6	5.7	MC65M28-704 (Spring Pin: Φ6x32)	
④ Extension Rod	Casing Pipe		Body Section		Length (L)		Weight		Part No.	
	Outer Dia.	Wall Max. Thickness	mm	in.	mm	in.	kg	lb		
	60.5 (2.38")	5.5 (0.22")	Hex.28		3050	10'	14.4	31.7		EH28M28-3050L
	76.3 (3.00")	5.2 (0.20")	Hex.28		3660	12'	17.2	37.8		EH28M28-3660L
		Hex.28		4000	13'31"	18.9	41.6	EH28M28-4000L		
⑤ Coupling Sleeve	Casing Pipe		Outer Dia. (D)		Length (L)		Weight		Part No.	
	Outer Dia.	Wall Max. Thickness	mm	in.	mm	in.	kg	lb		
	60.5 (2.38")	5.5 (0.22")	38	1.50"	160	6.30"	0.7	1.5	CM28AG	
⑥ Crossover Coupling	Casing Pipe		Outer Dia. (D)		Length (L)		Weight		Part No.	
	Outer Dia.	Wall Max. Thickness	mm	in.	mm	in.	kg	lb		
	54	2.13"	54	2.13"	173	6.81"	2.2	4.8		CM38M28AG
	54	2.13"	54	2.13"	180	7.09"	2.1	4.6		CR38M28AG
		60	2.36"	60	2.36"	189	7.44"	2.8	6.2	CM45M28AG
Rod Wrench	Casing Pipe		Body Section		Length (L)		Weight		Part No.	
	Outer Dia.	Wall Max. Thickness	mm	in.	mm	in.	kg	lb		
	60.5 (2.38")	5.5 (0.22")	Hex.28		430	16.93"	3.8	8.4	RW-H28	

STANDARD 3" & 4" UMB SYSTEM (For Fore piling and Roof bolting)



① Ring Bit	Casing Pipe		Gauge Dia. (D)		Length (L)		Weight		Part No.	
	Outer Dia.	Wall Max. Thickness	mm	in.	mm	in.	kg	lb		
	89.1 (3.51")	5.5 (0.22")	100	3.94"	82.2	3.24"	1.6	3.5	UL100BB56C680	
	114.3 (4.50")	8.0 (0.31")	126	4.96"	92.0	3.62"	2.7	5.9	UL125BB76C348	
② Casing Shoe	Casing Pipe		Outer Dia. (D)		Length (L)		Weight		Part No.	
	Outer Dia.	Wall Max. Thickness	mm	in.	mm	in.	kg	lb		
	89.1 (3.51")	5.5 (0.22")	89.1	3.51"	86	3.39"	0.9	2.0	UTOP66-678	
	114.3 (4.50")	8.0 (0.31")	114.3	4.50"	100	3.94"	1.5	3.3	UTOP87-551	
③ Pilot Bit	Casing Pipe		Guide Dia. (D)		Length (L)		Weight		Part No.	
	Outer Dia.	Wall Max. Thickness	mm	in.	mm	in.	kg	lb		
	89.1 (3.51")	5.5 (0.22")	76	2.99"	224.8	8.85"	3.5	7.7	UD38MP53BB-689 (Spring Pin: Φ8x45)	
	114.3 (4.50")	8.0 (0.31")	96	3.78"	246	9.69"	7.5	16.5	UD38MP70BB-548 (Spring Pin: Φ8x45)	
④ Extension Rod	Casing Pipe		Body Section		Length (L)		Weight		Part No.	
	Outer Dia.	Wall Max. Thickness	mm	in.	mm	in.	kg	lb		
			Hex.32		3050	10'	17.7	38.9		EH32M38-3050
			Hex.32		3660	12'	21.4	47.1		EH32M38-3660
		Hex.32		4000	13'31"	23.5	51.7	EH32M38-4000		
⑤ Coupling Sleeve	Casing Pipe		Outer Dia. (D)		Length (L)		Weight		Part No.	
	Outer Dia.	Wall Max. Thickness	mm	in.	mm	in.	kg	lb		
			54	2.13"	190	7.48"	1.9	4.2	CM38AGF	
⑥ Crossover Coupling	Casing Pipe		Outer Dia. (D)		Length (L)		Weight		Part No.	
	Outer Dia.	Wall Max. Thickness	mm	in.	mm	in.	kg	lb		
			60	2.36"	195	7.68"	2.2	4.8		CR38M38AG
		66	2.60"	215	8.46"	3.1	6.8	CM45M38AG		
Rod Wrench	Casing Pipe		Body Section		Length (L)		Weight		Part No.	
	Outer Dia.	Wall Max. Thickness	mm	in.	mm	in.	kg	lb		
			Hex.32		430	16.93"	5.2	11.4	RW-H32	

APPLICATIONS



● MCB system can be applied for Drainage and Exploration



MITSUBISHI MATERIALS CORPORATION

JAPAN / ROCK TOOLS

MITSUBISHI MATERIALS CORPORATION

OVERSEAS OPERATIONS CENTER

KFC bldg., 7F, 1-6-1, Yokoami, Sumida-ku, Tokyo 130-0015, Japan

TEL +81-3-5819-8723 FAX +81-3-5819-5259

E-Mail: rocktool@mmc.co.jp

<http://mrt.mitsubishicarbide.com>

Subsidiaries of MITSUBISHI MATERIALS CORPORATION

U.S.A. **MITSUBISHI MATERIALS U.S.A. CORPORATION**
2690 Salisbury Highway, Statesville, NC 28677, U.S.A.
TEL +1-800-423-1358 FAX +1-888-834-2248
E-Mail: mmusclt@mmus.com

Australia **MITSUBISHI MATERIALS TRADING CORPORATION
PERTH BRANCH**
Unit1, 58 Catalano Circuit Canning Vale, WA 6155 Australia
TEL +61-8-6258-7200 FAX +61-8-6258-5614
E-Mail: admin@mmtau.com

Germany **MMC HARTMETALL GMBH**
Comeniusstr. 2,40670 Meerbusch, Germany
TEL +49-2159-9189-32 FAX +49-2159-9189-30079
E-Mail: rocktools@mmchg.de

South Korea **MITSUBISHI MATERIALS TRADING CORPORATION
SEOUL BRANCH**
#1812, Samsung Cheil Bldg, 309, Teheran-Ro,
Gangnam-Gu, Seoul, 06151, Korea
TEL +82-2-3474-2331 FAX +82-2-572-2834

Brazil **MMC METAL DO BRASIL LTDA.**
Rua Cincinato Braga, 340 13º andar. Bela Vista-
CEP 01333-010 São Paulo-SP., BRASIL
TEL +55-11-3262-5095 FAX +55-11-3285-4906
E-Mail: mubr@mubr.com.br

Singapore **MITSUBISHI MATERIALS TRADING CORPORATION
SINGAPORE BRANCH**
10 Anson Road, #32-09 International Plaza,
079903 Singapore
TEL +65-6221-7233 FAX +65-6325-4220

Mexico **MMC METAL DE MEXICO S.A. DE C.V.**
Av. La Canada No.16 Parque Industrial Bernardo Quintana
El marques, Queretaro.
TEL +52-442-221-6136 +52-442-221-6137
FAX +52-442-221-6134
E-Mail: gonzalez@mmcex.com

China **MITSUBISHI MATERIALS (Shanghai) CORPORATION**
Room 3911, UNITED PLAZA 1468, Nanjing Road West,
Shanghai, 200040 China
TEL +86-21-6235-0745 FAX +86-21-6235-0741