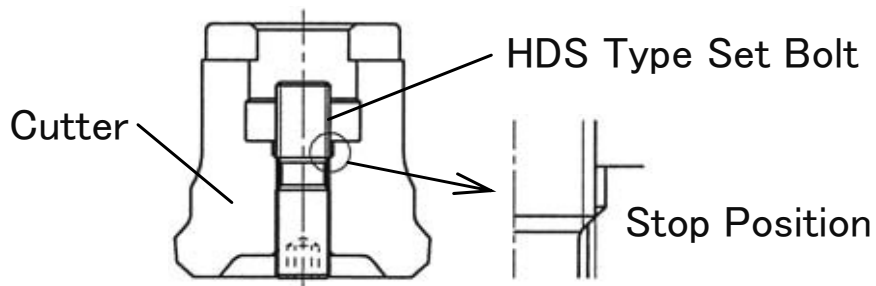


## Clamping points of cutter

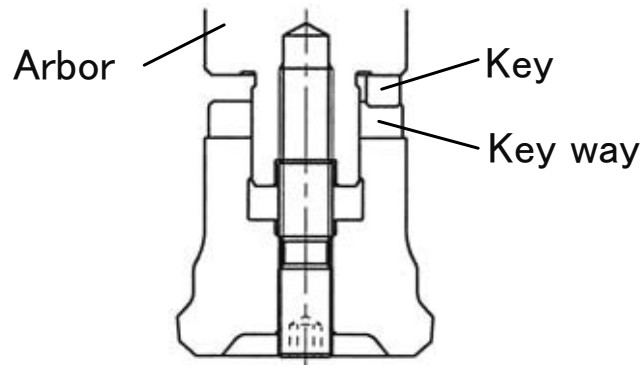
(BRP Type, OCTACUT Type, BOE Type, PMF Type)

Please use the recommended HDS type set bolt, and refer to the procedure below for the correct usage.

- ① Insert the HDS type set bolt into the cutter until stop.



- ② Line up the key way of cutter, with that of the arbor without rotating the cutter tighten up the screw.



- ③ Ensure that the screw is tightly screwed into place, Then assembly is complete. Please ensure that the face connecting the spindle and the arbor is in full contact.

