

Heavy Cutting

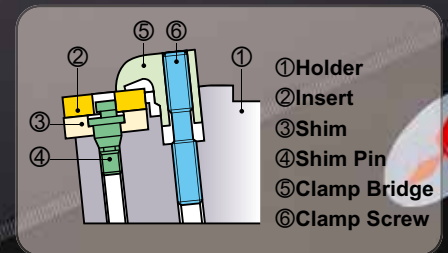
DOUBLE CLAMP HOLDER

Double action type clamp system

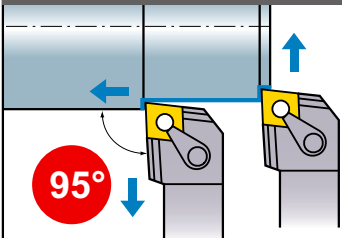
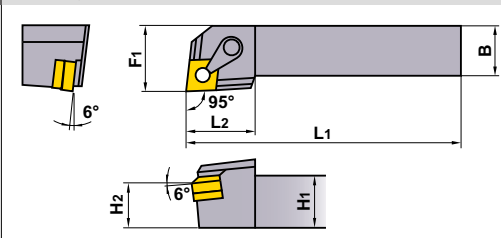



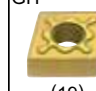
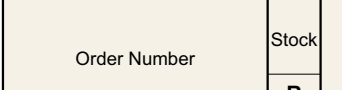
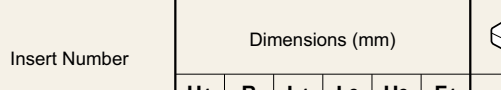


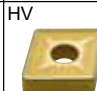






■ High clamping force ensures stable machining even during heavy interrupted cuts.

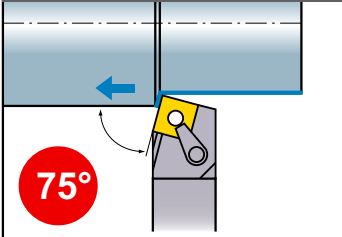
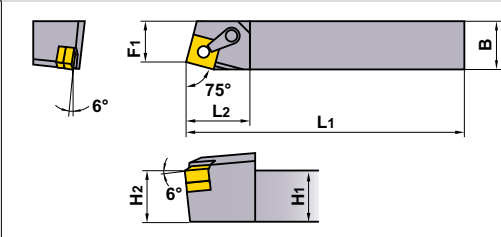
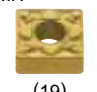



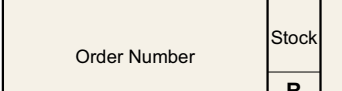
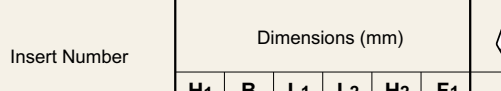









Double ended clamp screws

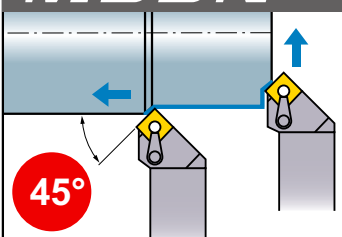
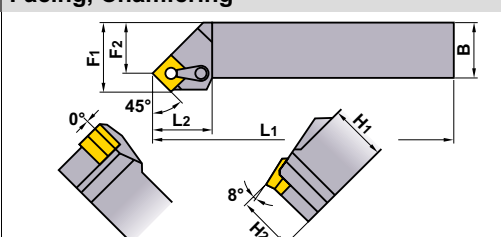


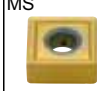

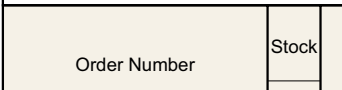
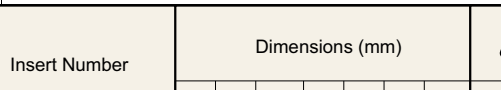









■ A single wrench fits all screws for easy insert replacement.



Heavy Cutting **DOUBLE CLAMP HOLDER**

MCLN		External turning Facing							Medium	Medium	Medium	Semi-Heavy			
									MH	Standard	MS	GH			
									 (19)	 (19)	 (19)	 (19)			
									Heavy	Heavy	Heavy	M Class			
									 (19)	 (19)	 (19)	 (19)			
									GH	HX	HV				
Order Number	Stock	Insert Number		Dimensions (mm)											
	R			H1	B	L1	L2	H2	F1	Shim	Shim Pin	Clamp Bridge	Clamp Screw	Wrench	
MCLNR3232P19 4040R19	●	CNMG	1906	32	32	170	36	32	40	MSCN63	MP6	CKW6	LS25	HKY40R	
	●	CNMM	1906	40	40	200	36	40	50	MSCN63	MP6	CKW6	LS25	HKY40R	

MSBN		External turning							Medium	Medium	Medium	Semi-Heavy			
									MH	Standard	MS	GH			
									 (19)	 (19)	 (19)	 (19)			
									Heavy	Heavy	Heavy	M Class			
									 (19)	 (19)	 (19)	 (19)			
									HZ	HX	HV				
Order Number	Stock	Insert Number		Dimensions (mm)											
	R			H1	B	L1	L2	H2	F1	Shim	Shim Pin	Clamp Bridge	Clamp Screw	Wrench	
MSBNR3232P19 4040R19	●	SNMG	1906	32	32	170	41	32	27	MSSN63	MP6	CKW6	LS25	HKY40R	
	●	SNMM	1906	40	40	200	41	40	35	MSSN63	MP6	CKW6	LS25	HKY40R	

MSSN		External turning Facing, Chamfering							Medium	Medium	Medium	Semi-Heavy				
									MH	Standard	MS	GH				
									 (19)	 (19)	 (19)	 (19)				
									Heavy	Heavy	Heavy	M Class				
									 (19)	 (19)	 (19)	 (19)				
									HZ	HX	HV					
Order Number	Stock	Insert Number		Dimensions (mm)												
	R			H1	B	L1	L2	H2	F1	F2	Shim	Shim Pin	Clamp Bridge	Clamp Screw	Wrench	
MSSNR3232P19 4040R19	●	SNMG	1906	32	32	170	44	32	40	27	MSSN63	MP6	CKW6	LS25	HKY40R	
	●	SNMM	1906	40	40	200	44	40	50	37	MSSN63	MP6	CKW6	LS25	HKY40R	

● : Inventory maintained.

For Your Safety

- Don't handle inserts and chips without gloves.
- Please machine within the recommended application range and exchange expired tools with new ones in advance of breakage.
- Please use safety covers and wear safety glasses.
- When using compounded cutting oils, please take fire precautions.
- When attaching inserts or spare parts, please use only the correct wrench or spanner.

MITSUBISHI MATERIALS CORPORATION



GNMS EIMS
ISO 9001:2008 and ISO 14001:2004
(JSA0001)



The Scope of the Registration:
Design, Development and
Production of Cemented
Carbide Tools and Carbide
Blanks



The Scope of the Registration:
Design, Development and
Production of Cutting Tools,
Wear-resistant Tools, Tools
Drilling Tools, Cemented
Carbide Blanks and Coated
Products



MITSUBISHI MATERIALS CORPORATION Area Marketing & Operations Dept.

KFC bldg., 8F, 1-6-1, Yokoami, Sumida-ku, Tokyo 130-0015, Japan
TEL +81-3-5819-8772 FAX +81-3-5819-8774

MMC HARTMETALL GmbH

Comeniusstr.2, 40670, Meerbusch GERMANY
TEL +49-2159-9189-0 FAX +49-2159-918966

MITSUBISHI MATERIALS U.S.A. CORPORATION Headquarters

17401, Eastman Street, Irvine, California, 92614, USA
TEL +1-949-862-5100 FAX +1-949-862-5180

MMC METAL SINGAPORE PTE LTD.

10, Arumugam Road, #04-00 Lion Industrial Bldg., 409957, SINGAPORE
TEL +65-6743-9370 FAX +65-6749-1469

Mitsubishi Carbide Home page : <http://www.mitsubishicarbide.com>
(Tools specifications subject to change without notice.)